

---

# 20 23

---

## HOUE

Price list  
Technical specifications

Recommended retail prices  
All rights reserved



---

# 02

---

TERMS &  
POLICIES



---

## RECOMMENDED RETAIL PRICES IN EUR

The prices are valid from October 1<sup>st</sup> 2022.  
All prices are recommended retail prices and  
include VAT / MWST based on 19%.

The prices are per single item unless otherwise indicated.  
Please note that we reserve the right to make  
changes in the price list.

---

## ASSEMBLY

Most tables and chairs require assembly.

---

## CONDITIONS OF SALE

All prices are subject to our standard Conditions of Tender  
and Sale.

All orders are accepted subject to being charged at the  
prices valid at the date of dispatch.

---

## WARRANTY

HOUE offers a two year warranty on all products. All main-  
tenance instructions must be followed to obtain warranty.

---

## RETURNS POLICY

Written authorization must be obtained from HOUE prior  
to returning any products. Products returned without prior  
written authorization will be refused. HOUE only accepts  
the return of a product if it is a manufacturing defect.

Returned products are inspected by our Quality Control  
Manager and replaced or repaired if the damage is a result  
of a manufacturing defect. If it is determined not to be a  
manufacturing defect, the customer, along with the Quality  
Control Manager will decide which further actions to take.

Returned products will only be accepted if returned in their  
original packaging.

---

## SPECIFICATIONS

We reserve the right to change specifications and  
descriptions based on technical developments and the  
availability of materials.

---

# 04

---

## INDEX

INDOOR  
DINING & OFFICE

---

HOUE

---

**06**

**ABOUT HOUE**

**08**

**FALK**

**14**

**HEKLA**

**18**

**EXTRAS**

**22**

**TECH SPEC**

---

# 06

---

HOUE ApS  
Rodelundvej 4A · 8680 Ry · Denmark

[info@houe.com](mailto:info@houe.com)

**we are driven by  
affordable luxury as  
a philosophy**





HOUE is a Danish design house founded in 2007. We combine great comfort and design in our work. Therefore, we always put a lot of effort into our product development striving to meet a high standard.

Our products are manufactured only on well established factories with whom we have worked closely for several years. Our products are not random mass production – every detail, joint or component in our furniture is thoroughly selected or invented by our experienced HOUE team to make a unique product.

We are driven by affordable luxury as a philosophy, by choosing the right materials and solutions. We draw from a proud heritage of Scandinavian design and craftsmanship with mass appeal.

HOUE offers both an outdoor and indoor collection, always meeting our high standards in terms of design, price, and quality.

---

# 08

---

MyTrash  
**FALK**

INDOOR  
DINING & OFFICE







Designed by THOMAS PEDERSEN

FALK is a collection of chairs with a plastic shell – plain or upholstered and with a variety of bases.

The shell is made from Danish household plastic trash and produced in Denmark. The technology behind reusing plastic household trash for furniture production is developed in Denmark. With FALK you are basically looking at the result of mixing Danish design and Danish innovation, and then converting this new thinking and material into a chair.



# 10

MyTrash  
**FALK**

INDOOR  
DINING & OFFICE



**FALK** 12903-XX01

Type Chair, armrest  
Base Column  
Powder coated black steel

Chair armrest

RRP in EUR €239  
RRP ex VAT €201



**FALK** NEW 12903-XX72

Type Chair, armrest  
Base Oak veneer

Chair, armrest

RRP in EUR €289  
RRP ex VAT €243



**FALK** 12903-XX05

Type Chair, armrest  
Base Solid oiled oak  
FSC® – FSC C153404

Chair, armrest

RRP in EUR €289  
RRP ex VAT €243



**FALK** 12901-XX01-YY

Type Chair, armrest and upholstered seat  
Base Column  
Powder coated black steel  
Upholstery Gabriel Cura / Connect

Chair, armrest and upholstered seat

RRP in EUR €299  
RRP ex VAT €251



**FALK** NEW 12901-XX72-YY

Type Chair, armrest and upholstered seat  
Base Oak veneer  
Upholstery Gabriel Cura / Connect

Chair, armrest and upholstered seat

RRP in EUR €349  
RRP ex VAT €293



**FALK** 12901-XX05-YY

Type Chair, armrest and upholstered seat  
Base Solid oiled oak  
Upholstery FSC® – FSC C153404  
Gabriel Cura / Connect

Chair, armrest and upholstered seat

RRP in EUR €349  
RRP ex VAT €293

DESCRIPTION

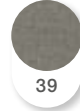
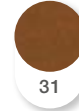
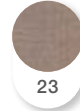
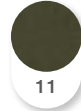
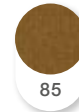
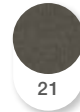
COLORS

Shell made from Danish household plastic trash  
 Upholstery: CURA or CONNECT from Gabriel  
 Base: Solid oiled oak, FSC® – FSC C153404,  
 oak veneer, powder coated steel or aluminum  
 xx = color code shell  
 yy = color code fabric

SHELL



CURA



CONNECT



**FALK 12903-XX52**

Type Chair, armrest  
 Base Tube  
 Powder coated black steel

**Chair, armrest**

RRP in EUR €189  
 RRP ex VAT €159

**FALK 12903-XX42**

Type Chair, armrest  
 Base Five star with castors  
 Powder coated black aluminum

**Chair, armrest**

RRP in EUR €479  
 RRP ex VAT €402

**FALK 12903-XX62**

Type Chair, armrest  
 Base Four star return swivel  
 Powder coated black aluminum

**Chair, armrest**

RRP in EUR €475  
 RRP ex VAT €399



**FALK 12901-XX52-YY**

Type Chair, armrest and upholstered seat  
 Base Tube  
 Powder coated black steel  
 Upholstery Gabriel Cura / Connect

**Chair, armrest and upholstered seat**

RRP in EUR €249  
 RRP ex VAT €209

**FALK 12901-XX42-YY**

Type Chair, armrest and upholstered seat  
 Base Five star with castors  
 Powder coated black aluminum  
 Fabric Gabriel Cura / Connect

**Chair, armrest and upholstered seat**

RRP in EUR €549  
 RRP ex VAT €461

**FALK 12901-XX62-YY**

Type Chair, armrest and upholstered seat  
 Base Four star return swivel  
 Powder coated black aluminum  
 Fabric Gabriel Cura / Connect

**Chair, armrest and upholstered seat**

RRP in EUR €539  
 RRP ex VAT €453

# 12

MyTrash  
**FALK**

INDOOR  
DINING & OFFICE



**FALK** **NEW** 12904-XX01

Type Chair, low armrest  
Base Column  
Powder coated black steel

**Chair, low armrest**

RRP in EUR €239  
RRP ex VAT €201



**FALK** **NEW** 12904-XX72

Type Chair, low armrest  
Base Oak veneer

**Chair, low armrest**

RRP in EUR €289  
RRP ex VAT €243



**FALK** **NEW** 12904-XX05

Type Chair, low armrest  
Base Solid oiled oak  
FSC® – FSC C153404

**Chair, low armrest**

RRP in EUR €289  
RRP ex VAT €243



**FALK** **NEW** 12902-XX01-YY

Type Chair, low armrest and upholstered seat  
Base Column  
Powder coated black steel  
Upholstery Gabriel Cura / Connect

**Chair, low armrest and upholstered seat**

RRP in EUR €299  
RRP ex VAT €251



**FALK** **NEW** 12902-XX72-YY

Type Chair, low armrest and upholstered seat  
Base Oak veneer  
Upholstery Gabriel Cura / Connect

**Chair, low armrest and upholstered seat**

RRP in EUR €349  
RRP ex VAT €293



**FALK** **NEW** 12902-XX05-YY

Type Chair, low armrest and upholstered seat  
Base Solid oiled oak  
Upholstery FSC® – FSC C153404  
Gabriel Cura / Connect

**Chair, low armrest and upholstered seat**

RRP in EUR €349  
RRP ex VAT €293

DESCRIPTION

COLORS

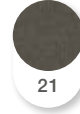
Shell made from Danish household plastic trash  
 Upholstery: CURA or CONNECT from Gabriel  
 Base: Solid oiled oak, FSC® – FSC C153404, oak veneer, powder coated steel or aluminum  
 xx = color code shell  
 yy = color code fabric

SHELL

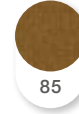


20  
Black

CURA



21  
Beige



85  
Dark yellow

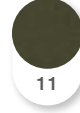


89  
Dark grey

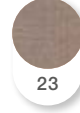


94  
Dark green

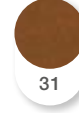
CONNECT



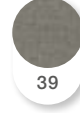
11  
Pine green



23  
Rose



31  
Terracotta



39  
Light grey



51  
Anthracite



**FALK** NEW **12904-XX52**  
 Type Chair, low armrest  
 Base Tube  
 Powder coated black steel

Chair, low armrest

RRP in EUR €189  
 RRP ex VAT €159

**FALK** NEW **12904-XX42**  
 Type Chair, low armrest  
 Base Five star with castors  
 Powder coated black aluminum

Chair, low armrest

RRP in EUR €479  
 RRP ex VAT €402

**FALK** NEW **12904-XX62**  
 Type Chair, low armrest  
 Base Four star return swivel  
 Powder coated black aluminum

Chair, low armrest

RRP in EUR €475  
 RRP ex VAT €399



**FALK** NEW **12902-XX52-YY**  
 Type Chair, low armrest and upholstered seat  
 Base Tube  
 Powder coated black steel  
 Upholstery Gabriel Cura / Connect

Chair, low armrest and upholstered seat

RRP in EUR €249  
 RRP ex VAT €209

**FALK** NEW **12902-XX42-YY**  
 Type Chair, low armrest and upholstered seat  
 Base Five star with castors  
 Powder coated black aluminum  
 Fabric Gabriel Cura / Connect

Chair, low armrest and upholstered seat

RRP in EUR €549  
 RRP ex VAT €461

**FALK** NEW **12902-XX62-YY**  
 Type Chair, low armrest and upholstered seat  
 Base Four star return swivel  
 Powder coated black aluminum  
 Fabric Gabriel Cura / Connect

Chair, low armrest and upholstered seat

RRP in EUR €539  
 RRP ex VAT €453

---

# 14

---

## HEKLA

INDOOR  
DINING & OFFICE

---



HEKLA Dining table lets aesthetics, function and engineering come together.

The lightness and almost floating way the tabletop balances on top of the simple, yet shapely wooden legs, is an homage to the engineered and classic.

A table where tradition and craftsmanship are a visual part of the overall expression.

HOUE

Designed by HENRIK PEDERSEN

---

---



# 16

## HEKLA

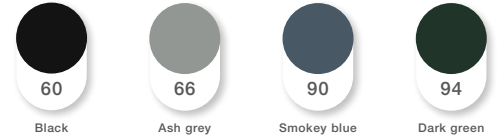
INDOOR  
DINING & OFFICE





Tabletop in linoleum  
 Oiled oak edge  
 Frame in solid oiled oak

xx = color code



**HEKLA 12701-63-XX05**

Type Dining table, seats up to 6 persons  
 Size 168x95 cm // 66x37,4 in  
 Frame Solid oiled oak  
 Tabletop Linoleum

**Dining table**

RRP in EUR €1.149  
 RRP ex VAT €966

**HEKLA 12702-63-XX05**

Type Dining table, seats up to 8 persons  
 Size 208x95 cm // 81,9x37,4 in  
 Frame Solid oiled oak  
 Tabletop Linoleum

**Dining table**

RRP in EUR €1.259  
 RRP ex VAT €1.058

---

# 18

---

## EXTRAS

INDOOR  
DINING & OFFICE

---



**HOUE**

DESCRIPTION

---

Additional products to complement HOUE collections

---



---

# 20

---

## **EXTRAS**

INDOOR  
DINING & OFFICE



xx = color code



60  
Black



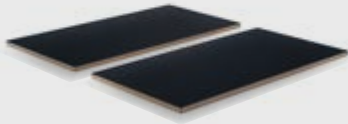
66  
Ash grey



90  
Smokey blue



94  
Dark green



**HEKLA 12704-63-XX**

Type Set of 2 extension plates  
Size 45x95 cm // 17,7x37,4 in

**Set of 2 extension plates**

RRP in EUR €399  
RRP ex VAT €335

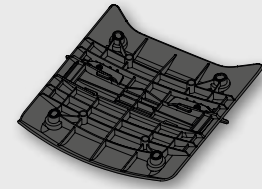


**FORBO LIONELUM SOAP 90-0200**

Type Soap for maintenance of linoleum on indoor furniture. For optimal maintenance, treat the linoleum only when needed

**Soap for maintenance**

RRP in EUR €19,50  
RRP ex VAT €16,40



**FALK STACKING PLATE NEW**

Type Stacking plate  
Material Danish household plastic trash

**Stacking plate**

RRP in EUR €26  
RRP ex VAT €22



**FALK EASY-CLICK CONNECTOR NEW**

Type Easy-click connector  
Material Powder coated steel

**Easy-click connector**

RRP in EUR €13  
RRP ex VAT €11

---

# 22

---

## **TECHNICAL**

MEASURES  
& SPECIFICATIONS

---

---

HOUE

---

---



---

# 24

---

MyTrash  
**FALK**

INDOOR  
DINING & OFFICE

---

FALK is a collection of chairs with a plastic shell – plain or upholstered and with a variety of bases.

The shell is made from Danish household plastic trash and produced in Denmark. The technology behind reusing plastic household trash for furniture production is developed in Denmark. With FALK you are basically looking at the result of mixing Danish design and Danish innovation, and then converting this new thinking and material into a chair.

Designed by Thomas Pedersen.



HOUE



5 year  
warranty



recycled  
plastic



EU  
Ecolabel



EN16139  
ANSI/BIFMA  
X5.4

---



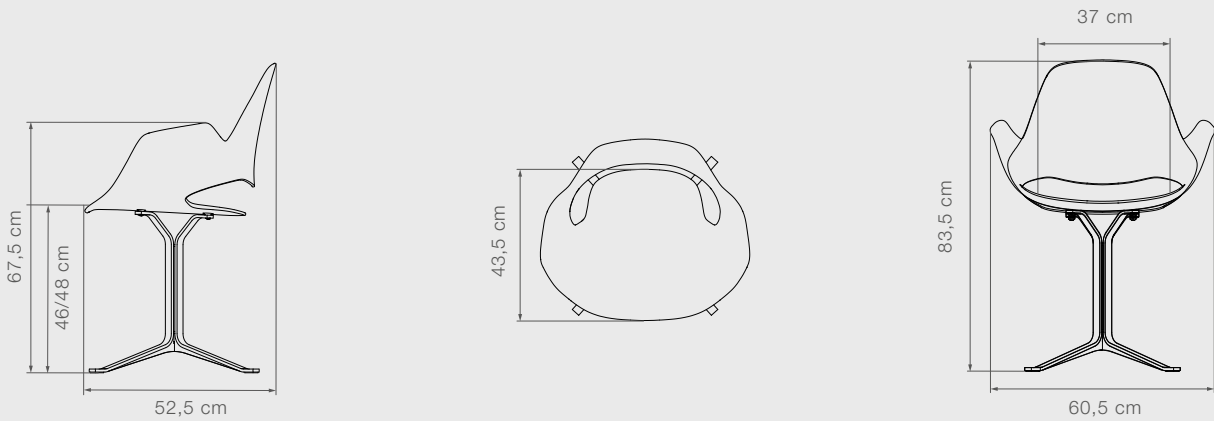


# 26

MyTrash  
**FALK**

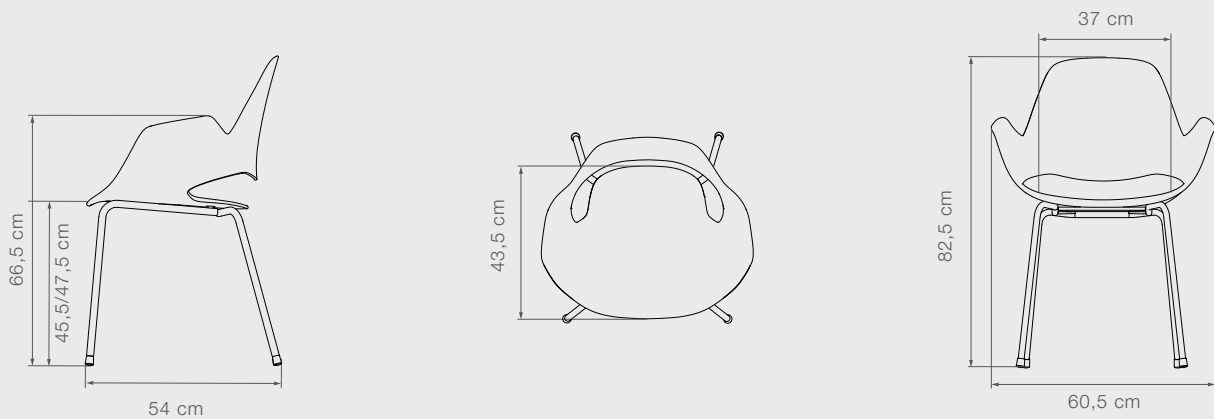
INDOOR  
DINING & OFFICE

## 12901+12903 FALK Chair with column base



Product weight	9,6 kg // 21,2 lbs	Width	60,5 cm // 23,8 in	Seat width	37 cm // 14,6 in	Seat height/upholstery	48 cm // 18,9 in
Diameter	61 cm // 24 in	Depth	52,5 cm // 20,7 in	Seat depth	43,5 cm // 17,1 in	Armrest height	67,5 cm // 26,6 in
		Height	83,5 cm // 32,9 in	Seat height	46 cm // 18,1 in	Martindale	CU: 100.000 / CO: 90.000

## 12901+12903 FALK Chair with tube base



Product weight	7,1 kg // 15,7 lbs	Width	60,5 cm // 23,8 in	Seat width	37 cm // 14,6 in	Seat height/upholstery	47,5 cm // 18,7 in
Diameter	69 cm // 27,2 in	Depth	54 cm // 21,3 in	Seat depth	43,5 cm // 17,1 in	Armrest height	66,5 cm // 26,2 in
Stackable max	10 chairs	Height	82,5 cm // 32,5 in	Seat height	45,5 cm // 17,9 in	Martindale	CU: 100.000 / CO: 90.000

DESCRIPTION

Shell made from Danish household plastic trash

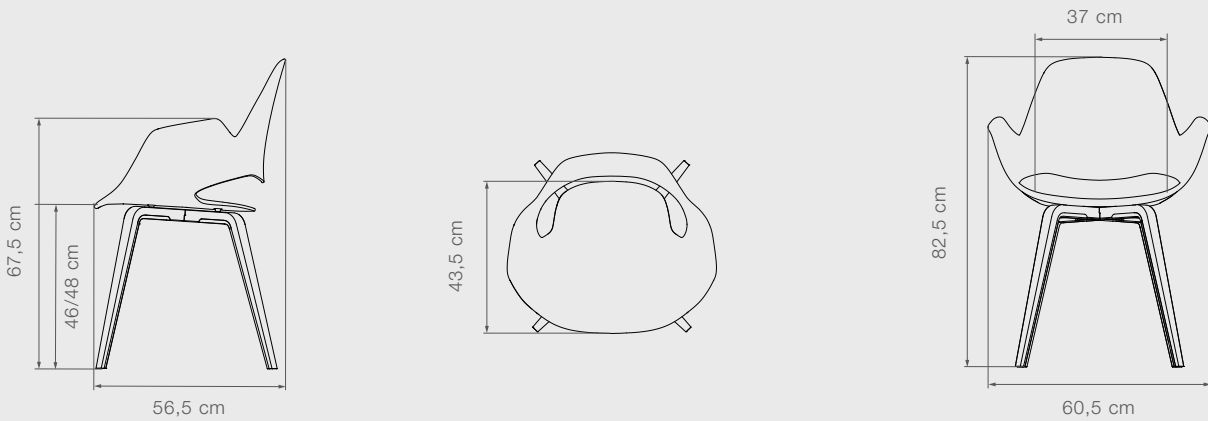
Upholstery: CURA or CONNECT from Gabriel

Base: Solid oiled oak, FSC® – FSC C153404, oak veneer, powder coated steel or aluminum

Martindale (ISO 12947-2):

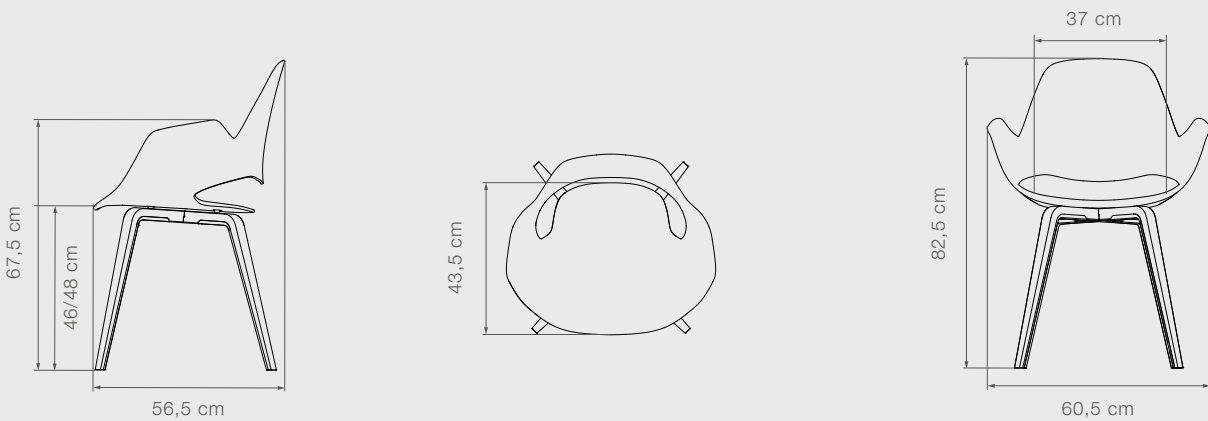
CU: CURA and CO: CONNECT fabric

**12901+12903 FALK** Chair with solid oiled oak base



Product weight	6,5 kg // 14,3 lbs	Width	60,5 cm // 23,8 in	Seat width	37 cm // 14,6 in	Seat height/upholstery	48 cm // 18,9 in
Diameter	67,5 cm // 26,6 in	Depth	56,5 cm // 22,2 in	Seat depth	43,5 cm // 17,1 in	Armrest height	67,5 cm // 26,6 in
		Height	82,5 cm // 32,5 in	Seat height	46 cm // 18,1 in	Martindale	CU: 100.000 / CO: 90.000

**12901+12903 FALK** Chair with oak veneer base



Product weight	6,5 kg // 14,3 lbs	Width	60,5 cm // 23,8 in	Seat width	37 cm // 14,6 in	Seat height/upholstery	48 cm // 18,9 in
Diameter	67,5 cm // 26,6 in	Depth	56,5 cm // 22,2 in	Seat depth	43,5 cm // 17,1 in	Armrest height	67,5 cm // 26,6 in
		Height	82,5 cm // 32,5 in	Seat height	46 cm // 18,1 in	Martindale	CU: 100.000 / CO: 90.000

---

# 28

---

MyTrash  
**FALK**

INDOOR  
DINING & OFFICE



DESCRIPTION

Shell made from Danish household plastic trash

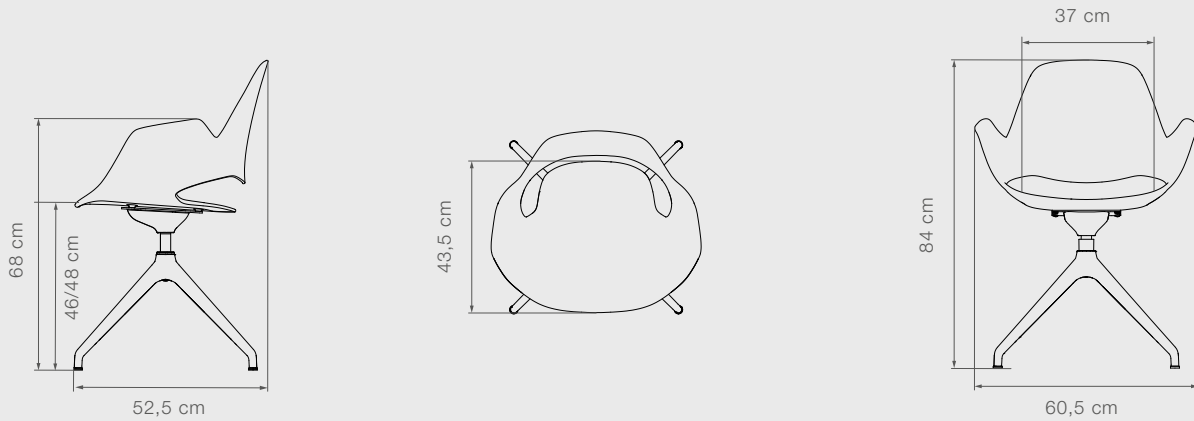
Upholstery: CURA or CONNECT from Gabriel

Base: Solid oiled oak, FSC® – FSC C153404, oak veneer, powder coated steel or aluminum

Martindale (ISO 12947-2):

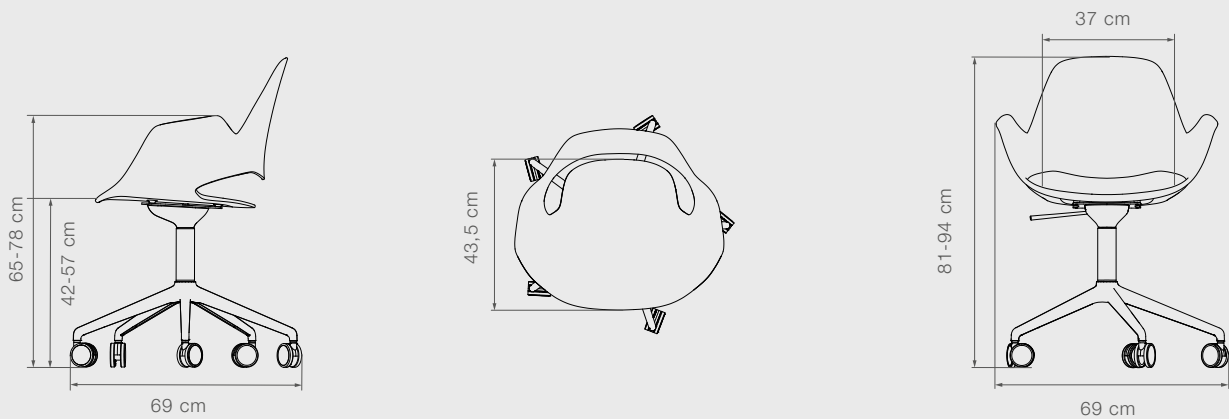
CU: CURA and CO: CONNECT fabric

**12901+12903 FALK** Chair with four star return swivel base



Product weight	9,5 kg // 20,9 lbs	Width	60,5 cm // 23,8 in	Seat width	37 cm // 14,6 in	Seat height/upholstery	48 cm // 18,9 in
Diameter	69,5 cm // 27,4 in	Depth	52,5 cm // 20,7 in	Seat depth	43,5 cm // 17,1 in	Armrest height	68 cm // 26,8 in
		Height	84 cm // 33 in	Seat height	46 cm // 18,1 in	Martindale	CU: 100.000 / CO: 90.000

**12901+12903 FALK** Chair with five star castor base



Product weight	9,7 kg // 21,4 lbs	Width	69 cm // 27,2 in	Seat width	37 cm // 14,6 in	Seat height/upholstery	44-57 cm // 17,3-22,4 in
Diameter	73 cm // 28,7 in	Depth	69 cm // 27,2 in	Seat depth	43,5 cm // 17,1 in	Armrest height	65-78 cm // 25,6-30,7 in
		Height	81-94 cm // 31,9-37 in	Seat height	42-55 cm // 16,5-21,6 in	Martindale	CU: 100.000 / CO: 90.000

# 30

MyTrash  
**FALK**

INDOOR  
DINING & OFFICE



DESCRIPTION

Shell made from Danish household plastic trash

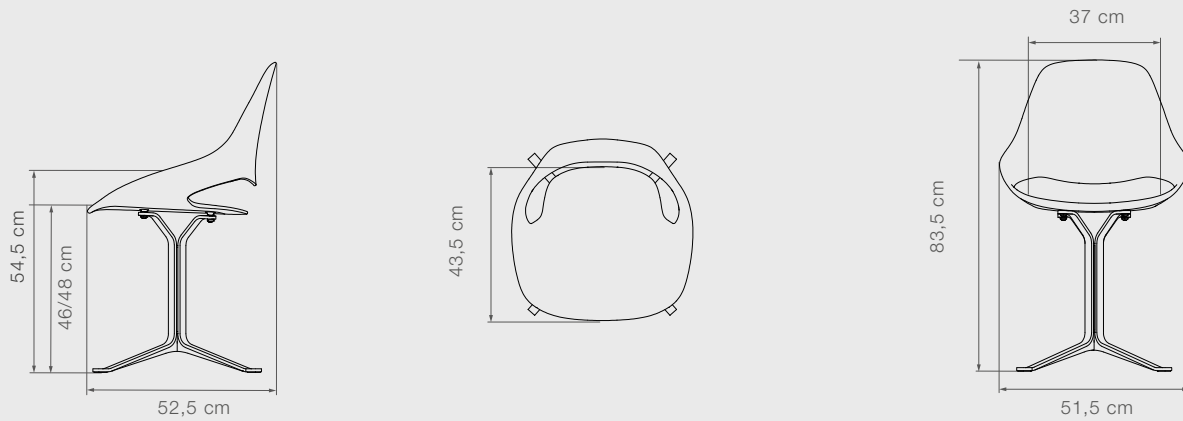
Upholstery: CURA or CONNECT from Gabriel

Base: Solid oiled oak, FSC® – FSC C153404, oak veneer, powder coated steel or aluminum

Martindale (ISO 12947-2):

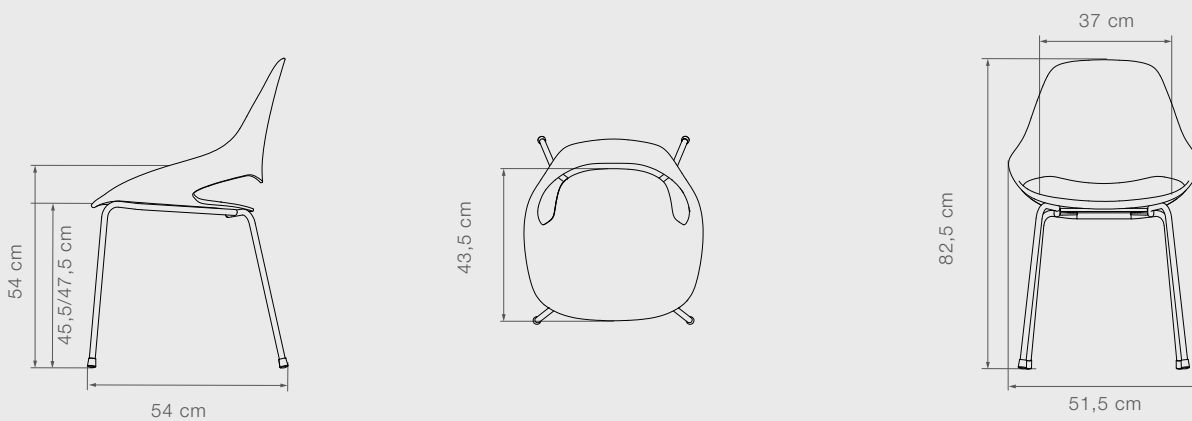
CU: CURA and CO: CONNECT fabric

**12902+12904 FALK** Chair with column base



Product weight	8,3 kg // 18,8 lbs	Width	51,5 cm // 20,3 in	Seat width	37 cm // 14,6 in	Seat height/upholstery	48 cm // 18,9 in
Diameter	61 cm // 24 in	Depth	52,5 cm // 20,7 in	Seat depth	43,5 cm // 17,1 in	Armrest height	54,5 cm // 21,5 in
		Height	83,5 cm // 32,9 in	Seat height	46 cm // 18,1 in	Martindale	CU: 100.000 / CO: 90.000

**12902+12904 FALK** Chair with tube base

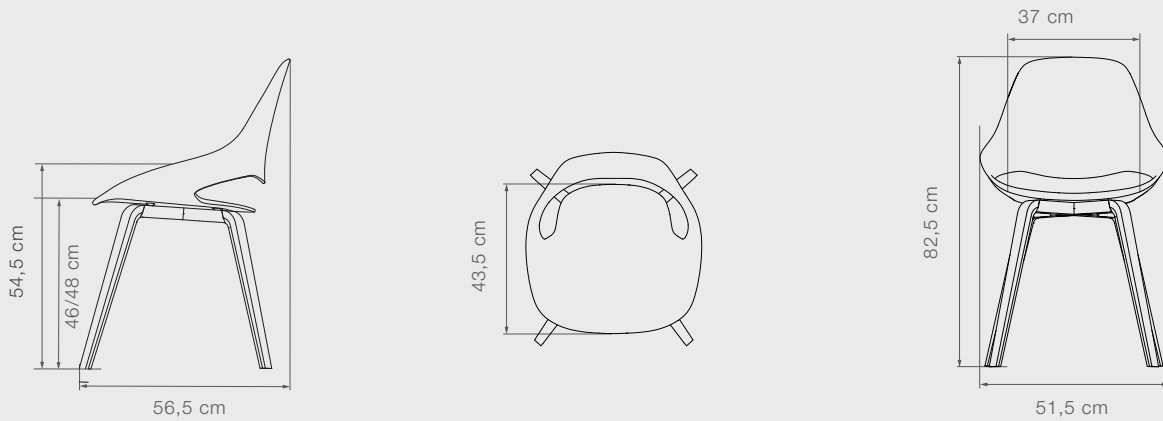


Product weight	5,8 kg // 12,8 lbs	Width	51,5 cm // 20,3 in	Seat width	37 cm // 14,6 in	Seat height/upholstery	47,5 cm // 18,7 in
Diameter	69 cm // 27,2 in	Depth	54 cm // 21,3 in	Seat depth	43,5 cm // 17,1 in	Armrest height	54 cm // 21,3 in
Stackable max	10 chairs	Height	82,5 cm // 32,5 in	Seat height	45,5 cm // 17,9 in	Martindale	CU: 100.000 / CO: 90.000

MyTrash  
**FALK**

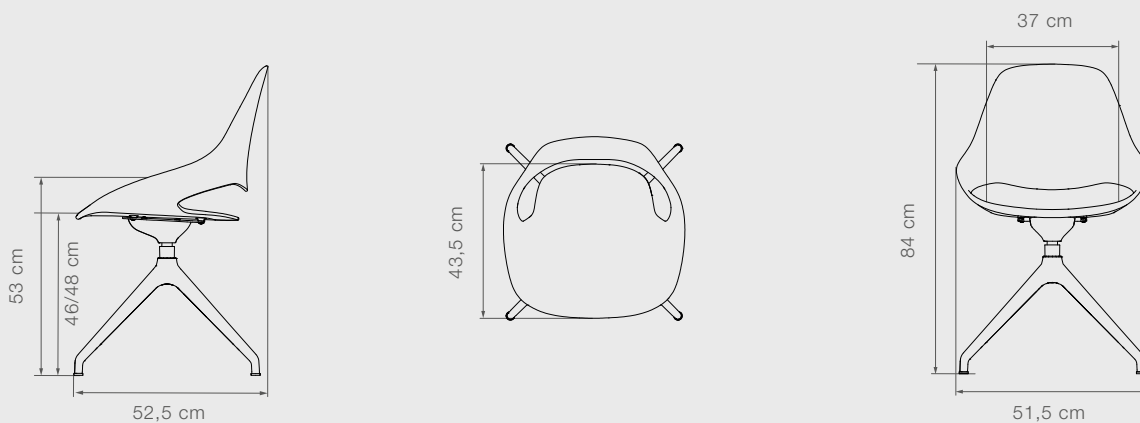
INDOOR  
DINING & OFFICE

**12902+12904 FALK** Chair with oak veneer base



Product weight	5,2 kg // 11,5 lbs	Width	51,5 cm // 20,3 in	Seat width	37 cm // 14,6 in	Seat height/upholstery	48 cm // 18,9 in
Diameter	67,5 cm // 26,6 in	Depth	56,5 cm // 22,2 in	Seat depth	43,5 cm // 17,1 in	Armrest height	54,5 cm // 21,5 in
		Height	82,5 cm // 32,5 in	Seat height	46 cm // 18,1 in	Martindale	CU: 100.000 / CO: 90.000

**12902+12904 FALK** Chair with four star return swivel base



Product weight	8,2 kg // 18,1 lbs	Width	51,5 cm // 20,3 in	Seat width	37 cm // 14,6 in	Seat height/upholstery	48 cm // 18,9 in
Diameter	69,5 cm // 27,4 in	Depth	52,5 cm // 20,7 in	Seat depth	43,5 cm // 17,1 in	Armrest height	53 cm // 20,9 in
		Height	84 cm // 33 in	Seat height	46 cm // 18,1 in	Martindale	CU: 100.000 / CO: 90.000



DESCRIPTION

Shell made from Danish household plastic trash

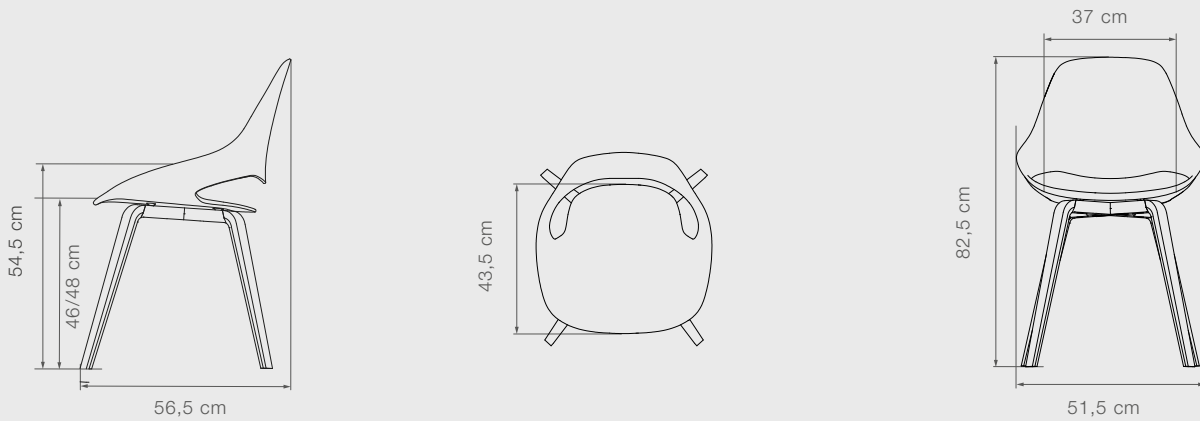
Upholstery: CURA or CONNECT from Gabriel

Base: Solid oiled oak, FSC® – FSC C153404, oak veneer, powder coated steel or aluminum

Martindale (ISO 12947-2):

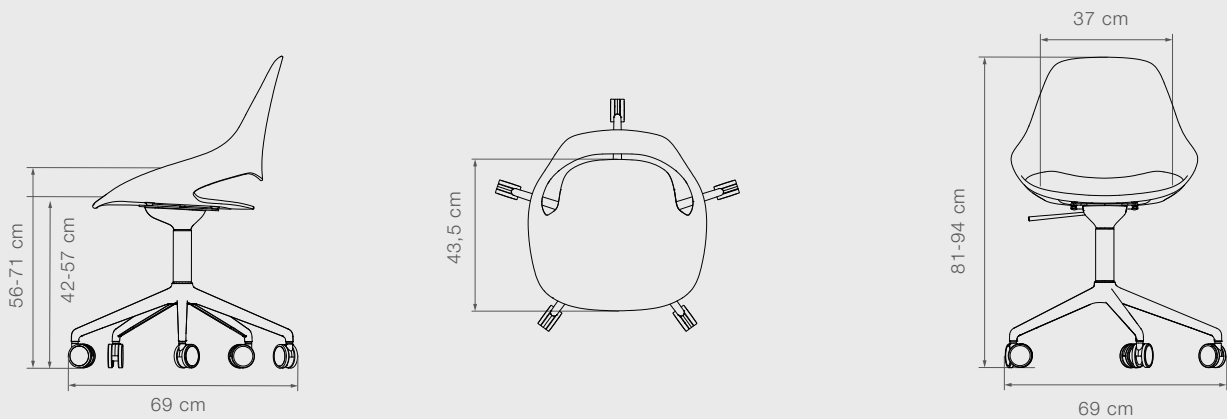
CU: CURA and CO: CONNECT fabric

**12902+12904 FALK** Chair with solid oiled oak base



Product weight	5,2 kg // 11,5 lbs	Width	51,5 cm // 20,3 in	Seat width	37 cm // 14,6 in	Seat height/upholstery	48 cm // 18,9 in
Diameter	67,5 cm // 26,6 in	Depth	56,5 cm // 22,2 in	Seat depth	43,5 cm // 17,1 in	Armrest height	54,5 cm // 21,5 in
		Height	82,5 cm // 32,5 in	Seat height	46 cm // 18,1 in	Martindale	CU: 100.000 / CO: 90.000

**12902+12904 FALK** Chair with five star castor base



Product weight	8,4 kg // 18,5 lbs	Width	69 cm // 27,2 in	Seat width	37 cm // 14,6 in	Seat height/upholstery	44-57 cm // 17,3-22,4 in
Diameter	73 cm // 28,7 in	Depth	69 cm // 27,2 in	Seat depth	43,5 cm // 17,1 in	Armrest height	56-71 cm // 22-28 in
		Height	81-94 cm // 31,9-37 in	Seat height	42-55 cm // 16,5-21,6 in	Martindale	CU: 100.000 / CO: 90.000

---

# 34

---

## HEKLA

### INDOOR DINING & OFFICE

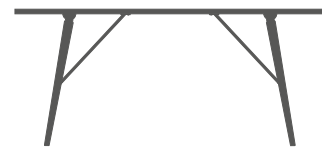
---

HEKLA Dining table lets aesthetics, function and engineering come together.

The lightness and almost floating way the tabletop balances on top of the simple, yet shapely wooden legs, is an homage to the engineered and classic.

A table where tradition and craftsmanship are a visual part of the overall expression.

Designed by Henrik Pedersen.



HOUE



2 year  
warranty

---



---

# 36

---

## HEKLA

INDOOR  
DINING & OFFICE



DESCRIPTION

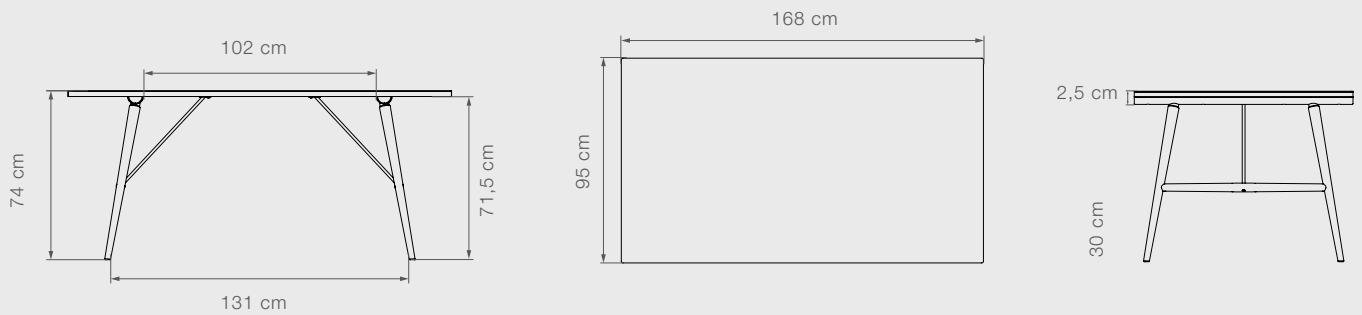
Tabletop in linoleum

Oiled oak edge

Frame in solid oiled oak and powder coated black steel

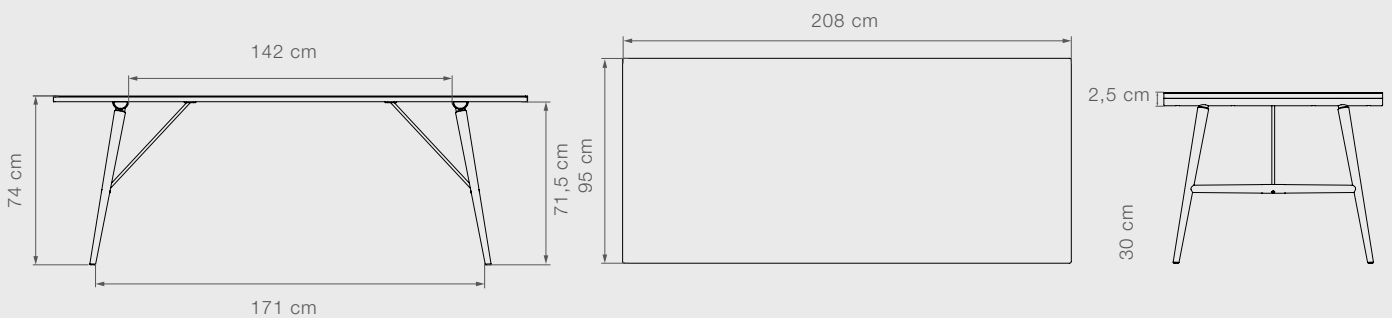
\*TT = TableTop

**12701 HEKLA** Dining table



Product weight	32,2 kg // 70,9 lbs	Width	95 cm // 37,4 in	Height under TT*	71,5 cm // 28,8 in	Space legs top	102 cm // 40,2 in
Bar height	30 cm // 11,8 in	Length	168 cm // 66,1 in	TT* thickness	2,5 cm // 1 in	Diameter	N/A
		Height	74 cm // 29,1 in	Space legs floor	131 cm // 51,6 in		

**12702 HEKLA** Dining table



Product weight	38,4 kg // 84,5 lbs	Width	95 cm // 37,4 in	Height under TT*	71,5 cm // 28,2 in	Space legs top	142 cm // 55,9 in
Bar height	30 cm // 11,8 in	Length	208 cm // 81,9 in	TT* thickness	2,5 cm // 1 in	Diameter	N/A
		Height	74 cm // 29,1 in	Space legs floor	171 cm // 67,3 in		

---

# 38

---

## MATERIALS

### INDOOR DINING & LOUNGE

---

#### FABRIC

---

##### CURA

CURA fabric from Gabriel, contains 98% post-consumer recycled polyester and 2% polyester.

Cura is made of polyester which is a material suited for environments with special requirements for cleaning.

Cura has a warm casual aesthetic with a vibrant melange effect. The fabric is soft with a voluminous texture. The fabric is OEKO-TEX® and EU Ecolabel certified.

##### CONNECT

CONNECT fabric from Gabriel, contains 48% New Zealand wool, 41% post-consumer recycled polyester, 9% polyester and 2% polyester.

By connecting layers of wool and polyester, Connect offers a unique construction that combines the best from both materials to achieve high-performance properties. Connect has a natural rustic elegance with a discreet metallic reflection. The fabric is OEKO-TEX® and EU Ecolabel certified.

#### MATERIALS

---

##### PLASTIC

FALK shell is made of 75% plastic from Danish household plastic trash, 20% glass fibers and 5% color pigment.

For cleaning wipe gently with a soft damp cloth.

##### LINOLEUM

This is a product made from natural materials. It consists of a mix of linseed oil, sawdust, minerals, pine resin and plant fibers. This composition gives the material a nice warm and smooth texture. But it also demands to be treated differently than many other surfaces.

Regular cleaning should be done with a cloth and luke-warm water. Stains should be removed with a mild solution of water and soap.

To freshen up the linoleum, or remove scratches, a specific linoleum soap can be used. This will give the linoleum new protection and will restore its rich and deep color.

##### OAK

Our oak is sourced from sustainably managed European forests (FSC® – FSC C153404). Oak is a durable, long-lasting wood with attractive wood grains. It has good water resistant properties and is highly resistant to wear and tear.

Our furniture is pre-treated with oil. This protects the surface against moist, dirt and grime.

Regular cleaning should be done with a cloth and luke-warm water. Do not use detergents or harsh chemicals on wooden furniture.

We recommend maintaining the surface regularly with oil to keep the surface resistant and beautiful.

---



---

# 20 23

---

**HOUE**

HOUE ApS  
Rodelundvej 4A · 8680 Ry · Denmark  
info@houe.com

USA INC · 7418 Washington Ave · Racine, WI 53406 · USA  
salesUS@houe.com

